

LM34914 Evaluation Board

National Semiconductor
Application Note 1549
Dennis Morgan
January 2007



Introduction

The LM34914EVAL evaluation board provides the design engineer with a fully functional buck regulator, employing the constant on-time (COT) operating principle. This evaluation board provides a 5V output over an input range of 8V to 40V. The circuit delivers load currents to 1A, with current limit set at $\approx 1.2A$. The board is populated with all components except R3, C2, C11 and C12. These components provide options for managing the output ripple as described later in this document.

The board's specification are:

- Input Voltage: 8V to 40V
- Output Voltage: 5V
- Maximum load current: 1.0A
- Minimum load current: 0A
- Current Limit: $\approx 1.2A$ ($V_{IN} = 8V$)
- Measured Efficiency: 94.5% ($V_{IN} = 8V$, $I_{OUT} = 200$ mA)
- Nominal Switching Frequency: 275 kHz
- Size: 2.0 in. x 1.0 in. x 0.53 in

Example Circuit

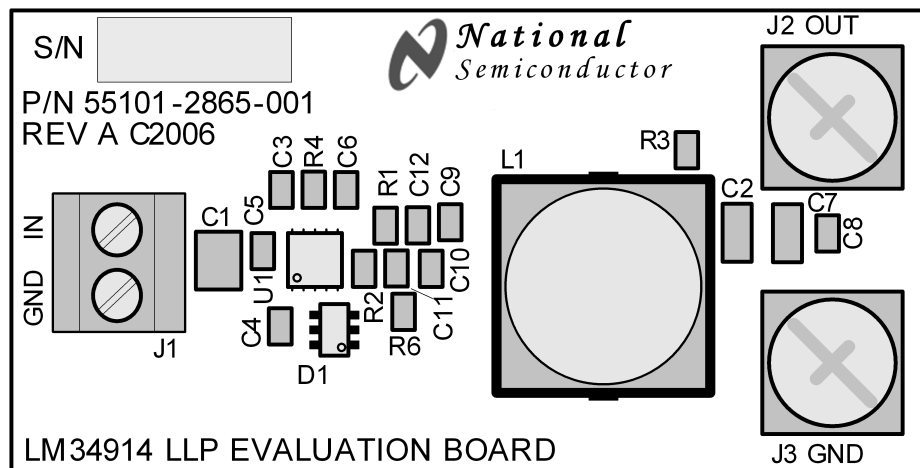


FIGURE 1. Evaluation Board - Top Side

Theory of Operation

Refer to the evaluation board schematic in Figure 5, which contains a simplified block diagram of the LM34914. When the circuit is in regulation, the buck switch is on each cycle for a time determined by R4 and V_{IN} according to the equation:

$$t_{ON} = \frac{1.15 \times 10^{-10} \times (R4 + 1.4k)}{(V_{IN} - 1.5V)} + 50 \text{ ns}$$

The on-time of this evaluation board ranges from ≈ 2700 ns at $V_{IN} = 8V$, to ≈ 500 ns at $V_{IN} = 40V$. The on-time varies inversely with V_{IN} to maintain a nearly constant switching frequency. At the end of each on-time the Minimum Off-Timer ensures the buck switch is off for at least 265 ns. In normal operation, the off-time is much longer. During the off-time, the load current is supplied by the output capacitor (C7). When the output voltage falls sufficiently that the voltage at FB is below 2.5V, the regulation comparator initiates a new on-time period. For stable, fixed frequency operation, a minimum of 25 mV of ripple is required at FB to switch the regulation comparator. The current limit threshold, which varies with V_{in} , is

$\approx 1.2A$ at $V_{in} = 8V$, and $\approx 1.05A$ at $V_{in} = 40V$. Refer to the LM34914 data sheet for a more detailed block diagram, and a complete description of the various functional blocks.

Board Layout and Probing

The pictorial in Figure 1 shows the placement of the circuit components. The following should be kept in mind when the board is powered:

- 1) When operating at high input voltage and high load current, forced air flow may be necessary.
- 2) The LM34914, and diode D1 may be hot to the touch when operating at high input voltage and high load current.
- 3) Use CAUTION when probing the circuit at high input voltages to prevent injury, as well as possible damage to the circuit.
- 4) At maximum load current (1A), the wire size and length used to connect the load becomes important. Ensure there is not a significant drop in the wires between this evaluation board and the load.

Board Connection/Start-up

The input connections are made to the J1 connector. The load is connected to the J2 (OUT) and J3 (GND) terminals. Ensure the wires are adequately sized for the intended load current. Before start-up a voltmeter should be connected to the input terminals, and to the output terminals. The load current should be monitored with an ammeter or a current probe. It is recommended that the input voltage be increased gradually to 8V, at which time the output voltage should be 5V. If the output voltage is correct with 8V at V_{IN} , then increase the input voltage as desired and proceed with evaluating the circuit. DO NOT EXCEED 40V AT V_{IN} .

Output Ripple Control

The LM34914 requires a minimum of 25 mVp-p ripple at the FB pin, in phase with the switching waveform at the SW pin, for proper operation. The required ripple can be supplied from ripple at V_{OUT} , through the feedback resistors, as described in options B and C below, or the ripple can be generated separately (using R6, C9, C10) keeping the ripple at V_{OUT} to a minimum as described in option A below.

A) **Minimum Output Ripple:** This evaluation board is supplied configured for minimum ripple at V_{OUT} by using components R6, C9 and C10. The output ripple, which ranges from $\approx 3\text{mVp-p}$ at $V_{IN} = 8\text{V}$ to $\approx 8\text{mVp-p}$ at $V_{IN} = 40\text{V}$, is determined primarily by the ESR of output capacitor (C7), and the inductor's ripple current, which ranges from 85 mA p-p to 190 mA p-p over the input voltage range. The ripple voltage required by the FB pin is generated by R6, C9 and C10 since the SW pin switches from -1V to V_{IN} , and the right end of C9 is a virtual ground. The values for R6 and C9 are chosen to

generate a 30-40 mVp-p triangle waveform at their junction. That triangle wave is then coupled to the FB pin through C10. The following procedure is used to calculate values for R6, C9 and C10:

1) Calculate the voltage V_A :

$$V_A = V_{OUT} - (V_{SW} \times (1 - (V_{OUT}/V_{IN})))$$

where V_{SW} is the absolute value of the voltage at the SW pin during the off-time (typically 1V), and V_{IN} is the minimum input voltage. For this circuit V_A calculates to 4.63V. This is the approximate DC voltage at the R6/C9 junction, and is used in the next equation.

2) Calculate the R6 x C9 product:

$$R6 \times C9 = \frac{(V_{IN} - V_A) \times t_{ON}}{\Delta V}$$

where t_{ON} is the maximum on-time ($\approx 2700\text{ ns}$), V_{IN} is the minimum input voltage, and ΔV is the desired ripple amplitude at the R6/C9 junction, 30 mVp-p for this example.

$$R6 \times C9 = \frac{(8\text{V} - 4.63\text{V}) \times 2700\text{ ns}}{0.03\text{V}} = 3.03 \times 10^{-4}$$

R6 and C9 are then chosen from standard value components to satisfy the above product. For example, C9 can be 3300 pF requiring R6 to be $\leq 91.8\text{ k}\Omega$. C10 is chosen to be 0.01 μF , large compared to C9. The circuit as supplied on this EVB is shown in Figure 2.

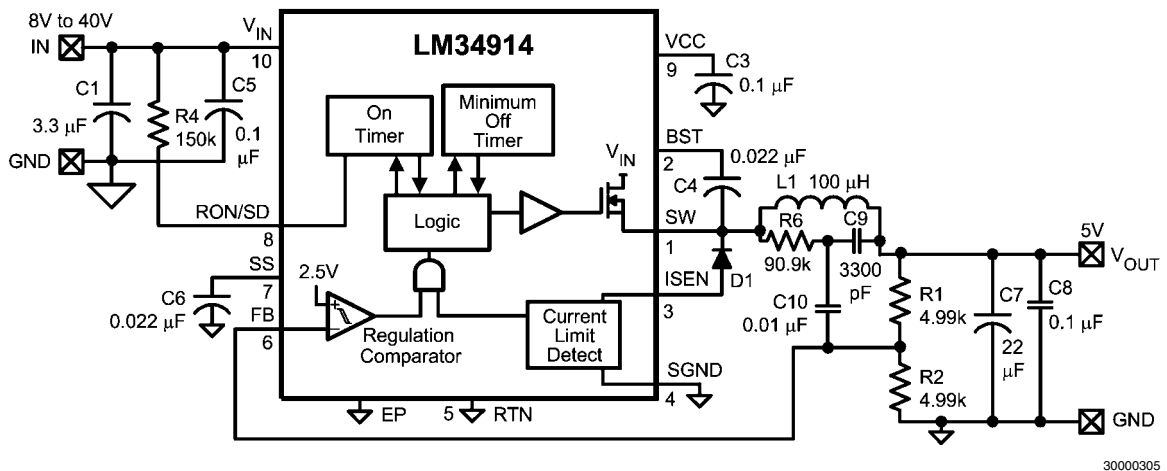
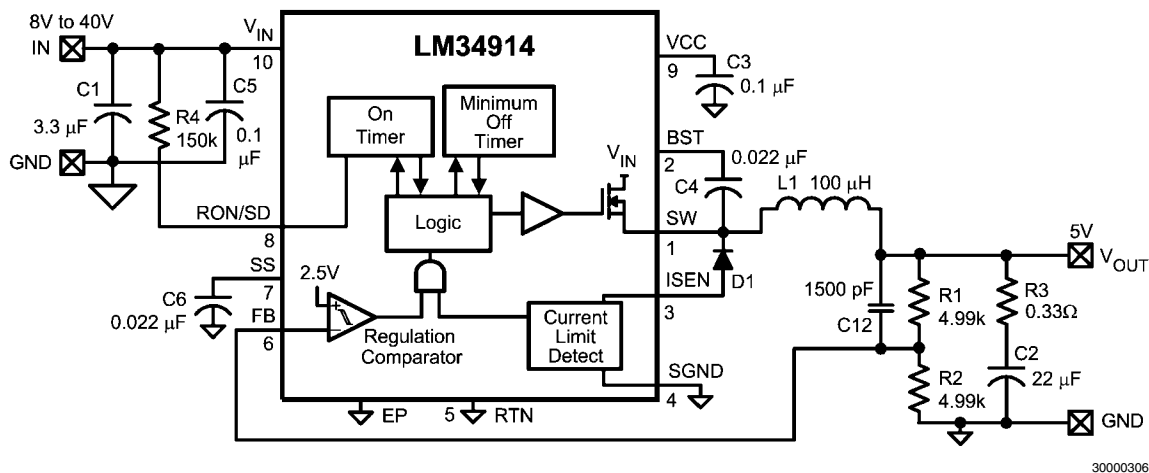


FIGURE 2. Minimum Output Ripple Configuration Using R6,C9,C10

B) **Intermediate Ripple Level Configuration:** This configuration generates more ripple at V_{OUT} than the above configuration, but uses two less capacitors. If some ripple can be

tolerated in the application, this configuration is slightly more economical, and simpler. R3, C2 and C12 are used instead of R6 and C7-C10, as shown in Figure 3.



30000306

FIGURE 3. Intermediate Ripple Configuration Using C12 and R3

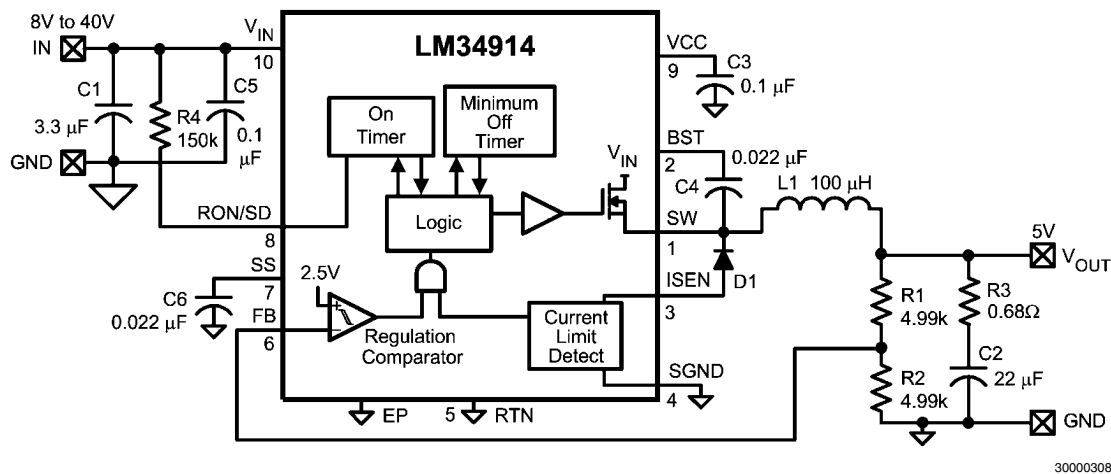
R3 is chosen to generate 25-30 mVp-p at V_{OUT} knowing that the minimum ripple current is 85 mA-p-p at minimum V_{IN} . C12 couples that ripple to the FB pin without the attenuation of the feedback resistors. C12's minimum value is calculated from:

$$C12 \geq \frac{t_{ON(max)}}{(R1//R2)}$$

where $t_{ON(max)}$ is the maximum on-time (at minimum V_{IN}), and $R1//R2$ is the equivalent parallel value of the feedback resistors. For this evaluation board $t_{ON(max)}$ is approximately 2700

ns, and $R1//R2 = 2.5 \text{ k}\Omega$, and C12 calculates to a minimum of 1080 pF. In the circuit of Figure 3 the ripple at V_{OUT} ranges from $\approx 30 \text{ mVp-p}$ to $\approx 63 \text{ mVp-p}$ over the input voltage range.

C) **Lowest Cost Configuration:** This configuration is the same as option B above, but without C12. Since $\geq 25 \text{ mVp-p}$ are required at the FB pin, R3 is chosen to generate $\geq 50 \text{ mV}$ at V_{OUT} , knowing that the minimum ripple current in this circuit is 85 mA-p-p at minimum V_{IN} . Using 0.68Ω for R3, the ripple at V_{OUT} ranges from $\approx 60 \text{ mVp-p}$ to $\approx 120 \text{ mVp-p}$ over the input voltage range. If the application can tolerate this ripple level, this is the most economical solution. The circuit is shown in Figure 4.



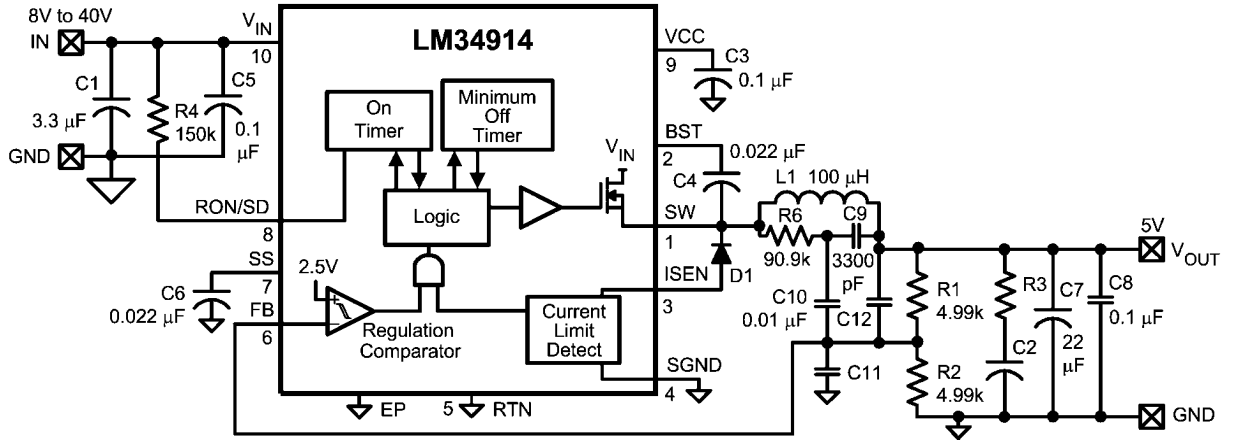
30000308

FIGURE 4. Lowest Cost Configuration

Minimum Load Current

The LM34914 requires a minimum load current of $\approx 500 \mu\text{A}$ to ensure the boost capacitor (C4) is recharged sufficiently dur-

ing each off-time. In this evaluation board, the minimum load current is provided by the feedback resistor (R1, R2), allowing the board's minimum load current V_{OUT} to be specified at zero.



30000309

FIGURE 5. Complete Evaluation Board Schematic

Item	Description	Mfg., Part Number	Package	Value
C1	Ceramic Capacitor	TDK C3225X7R1H475M	1210	4.7 μ F, 50V
C2	Ceramic Capacitor	Unpopulated	1206	
C3	Ceramic Capacitor	TDK C2012X7R2A104M	0805	0.1 μ F, 16V
C4	Ceramic Capacitor	TDK C2012X7R1C104M	0805	0.022 μ F, 16V
C5	Ceramic Capacitor	TDK C2012X7R1C223M	0805	0.1 μ F, 100V
C6	Ceramic Capacitor	TDK C2012X7R1C223M	0805	0.022 μ F, 16V
C7	Ceramic Capacitor	TDK C3225X7R1C226M	1206	22 μ F, 16V
C8	Ceramic Capacitor	TDK C2012X7R2A104M	0805	0.1 μ F, 16V
C9	Ceramic Capacitor	TDK C2012X7R2A332M	0805	3300 pF
C10	Ceramic Capacitor	TDK C2012X7R2A103M	0805	0.01 μ F
C11	Ceramic Capacitor	Unpopulated	0805	
C12	Ceramic Capacitor	Unpopulated	0805	
D1	Schottky Diode	Zetex ZLLS2000	SOT23-6	40V, 2.2A
L1	Power Inductor	TDK SLF12575T-101M1R9, or Cooper Bussmann DR125-101	12.5 mm x 12.5 mm	100 μ H, 1.9A
R1	Resistor	CRCW08054991F	0805	4.99 k Ω
R2	Resistor	CRCW08054991F	0805	4.99 k Ω
R3	Resistor	Unpopulated	0805	
R4	Resistor	CRCW08051503F	0805	150 k Ω
R6	Resistor	CRCW08059092F	0805	90.9 k Ω
U1	Switching Regulator	National Semiconductor LM34914SD	LLP 3x3	

Circuit Performance

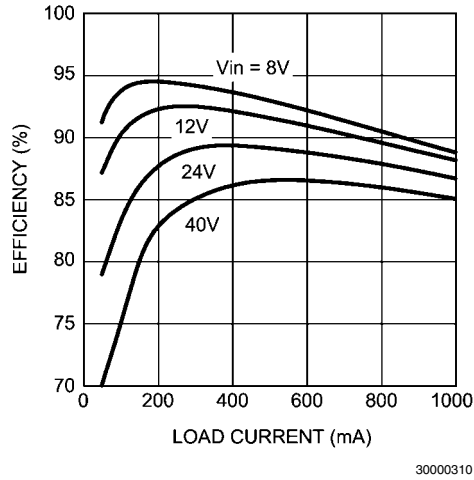


FIGURE 6. Efficiency vs Load Current

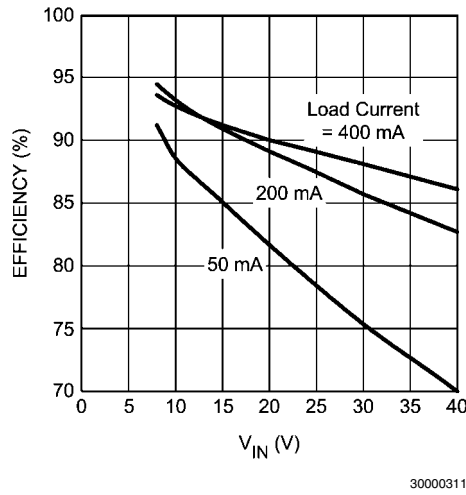
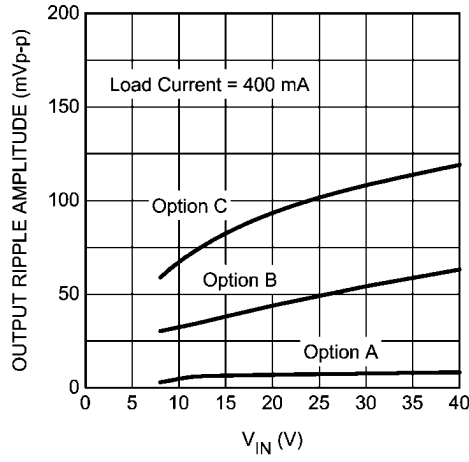
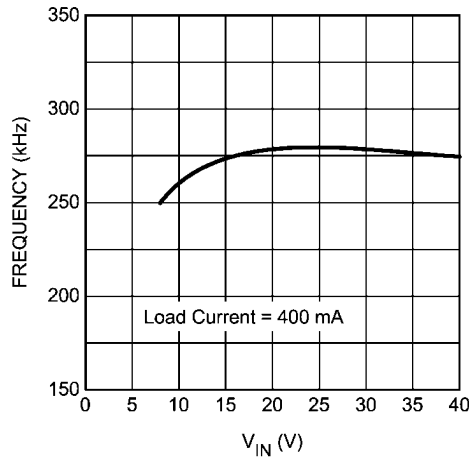


FIGURE 7. Efficiency vs Input Voltage



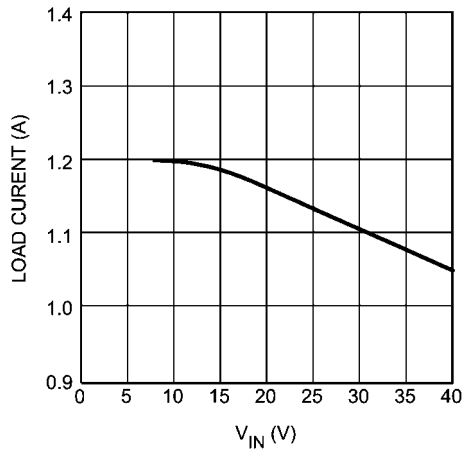
30000312

FIGURE 8. Output Voltage Ripple



30000313

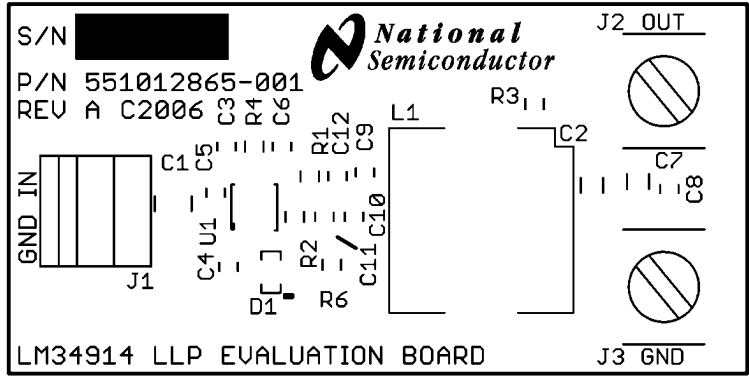
FIGURE 9. Switching Frequency vs. Load Current



30000314

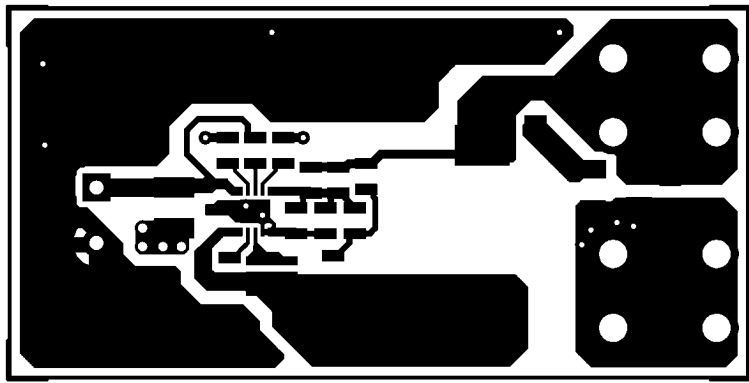
FIGURE 10. Current Limit vs Input Voltage

PC Board Layout



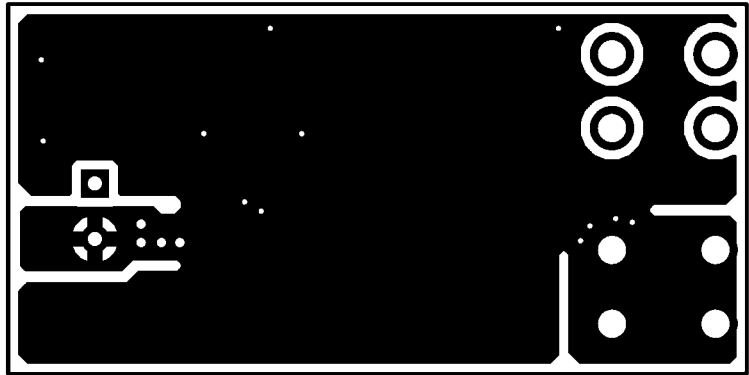
Board Silkscreen

30000326



Board Top Layer

30000327



Board Bottom Layer (Viewed from Top)

30000328

Notes

THE CONTENTS OF THIS DOCUMENT ARE PROVIDED IN CONNECTION WITH NATIONAL SEMICONDUCTOR CORPORATION ("NATIONAL") PRODUCTS. NATIONAL MAKES NO REPRESENTATIONS OR WARRANTIES WITH RESPECT TO THE ACCURACY OR COMPLETENESS OF THE CONTENTS OF THIS PUBLICATION AND RESERVES THE RIGHT TO MAKE CHANGES TO SPECIFICATIONS AND PRODUCT DESCRIPTIONS AT ANY TIME WITHOUT NOTICE. NO LICENSE, WHETHER EXPRESS, IMPLIED, ARISING BY ESTOPPEL OR OTHERWISE, TO ANY INTELLECTUAL PROPERTY RIGHTS IS GRANTED BY THIS DOCUMENT.

TESTING AND OTHER QUALITY CONTROLS ARE USED TO THE EXTENT NATIONAL DEEMS NECESSARY TO SUPPORT NATIONAL'S PRODUCT WARRANTY. EXCEPT WHERE MANDATED BY GOVERNMENT REQUIREMENTS, TESTING OF ALL PARAMETERS OF EACH PRODUCT IS NOT NECESSARILY PERFORMED. NATIONAL ASSUMES NO LIABILITY FOR APPLICATIONS ASSISTANCE OR BUYER PRODUCT DESIGN. BUYERS ARE RESPONSIBLE FOR THEIR PRODUCTS AND APPLICATIONS USING NATIONAL COMPONENTS. PRIOR TO USING OR DISTRIBUTING ANY PRODUCTS THAT INCLUDE NATIONAL COMPONENTS, BUYERS SHOULD PROVIDE ADEQUATE DESIGN, TESTING AND OPERATING SAFEGUARDS.

EXCEPT AS PROVIDED IN NATIONAL'S TERMS AND CONDITIONS OF SALE FOR SUCH PRODUCTS, NATIONAL ASSUMES NO LIABILITY WHATSOEVER, AND NATIONAL DISCLAIMS ANY EXPRESS OR IMPLIED WARRANTY RELATING TO THE SALE AND/OR USE OF NATIONAL PRODUCTS INCLUDING LIABILITY OR WARRANTIES RELATING TO FITNESS FOR A PARTICULAR PURPOSE, MERCHANTABILITY, OR INFRINGEMENT OF ANY PATENT, COPYRIGHT OR OTHER INTELLECTUAL PROPERTY RIGHT.

LIFE SUPPORT POLICY

NATIONAL'S PRODUCTS ARE NOT AUTHORIZED FOR USE AS CRITICAL COMPONENTS IN LIFE SUPPORT DEVICES OR SYSTEMS WITHOUT THE EXPRESS PRIOR WRITTEN APPROVAL OF THE CHIEF EXECUTIVE OFFICER AND GENERAL COUNSEL OF NATIONAL SEMICONDUCTOR CORPORATION. As used herein:

Life support devices or systems are devices which (a) are intended for surgical implant into the body, or (b) support or sustain life and whose failure to perform when properly used in accordance with instructions for use provided in the labeling can be reasonably expected to result in a significant injury to the user. A critical component is any component in a life support device or system whose failure to perform can be reasonably expected to cause the failure of the life support device or system or to affect its safety or effectiveness.

National Semiconductor and the National Semiconductor logo are registered trademarks of National Semiconductor Corporation. All other brand or product names may be trademarks or registered trademarks of their respective holders.

Copyright© 2007 National Semiconductor Corporation

For the most current product information visit us at www.national.com



**National Semiconductor
Americas Customer
Support Center**
Email:
new.feedback@nsc.com
Tel: 1-800-272-9959

**National Semiconductor Europe
Customer Support Center**
Fax: +49 (0) 180-530-85-86
Email: europe.support@nsc.com
Deutsch Tel: +49 (0) 69 9508 6208
English Tel: +49 (0) 870 24 0 2171
Français Tel: +33 (0) 1 41 91 8790

**National Semiconductor Asia
Pacific Customer Support Center**
Email: ap.support@nsc.com

**National Semiconductor Japan
Customer Support Center**
Fax: 81-3-5639-7507
Email: jpn.feedback@nsc.com
Tel: 81-3-5639-7560